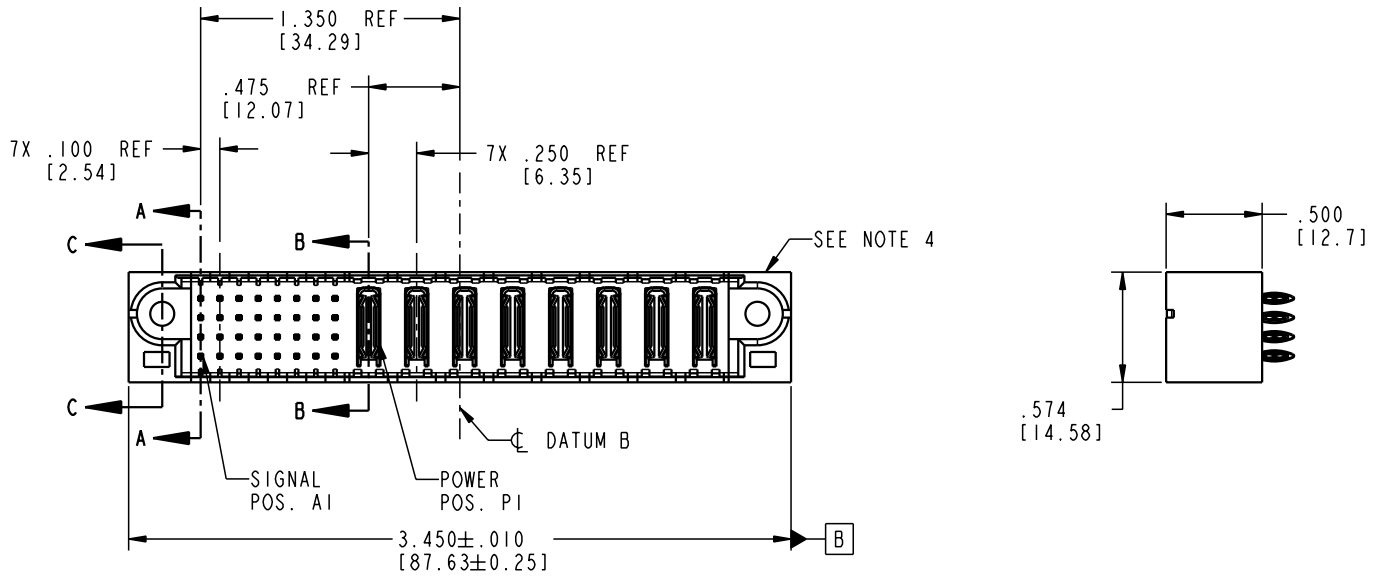


Tous droits strictement réservés. Reproduction ou communication o des liens interdite sous quelque forme que ce soit sans autorisation écrite du propriétaire. Propriete de c FCI. Droits de reproduction FCI.

All rights strictly reserved. Reproduction or issue to third parties in any form whenever is not permitted without written authority from the proprietor. Property of FCI. Copyright FCI.

PRODUCT NO.	ROWS	SIGNAL								POWER									
		E1	1	2	3	4	5	6	7	8	P1	P2	P3	P4	P5	P6	P7	P8	E2
51701-10003208CC	D C B A	GGGGGGGGGG								PC	PC	PC	PC	PC	PC	PC	PC	PC	



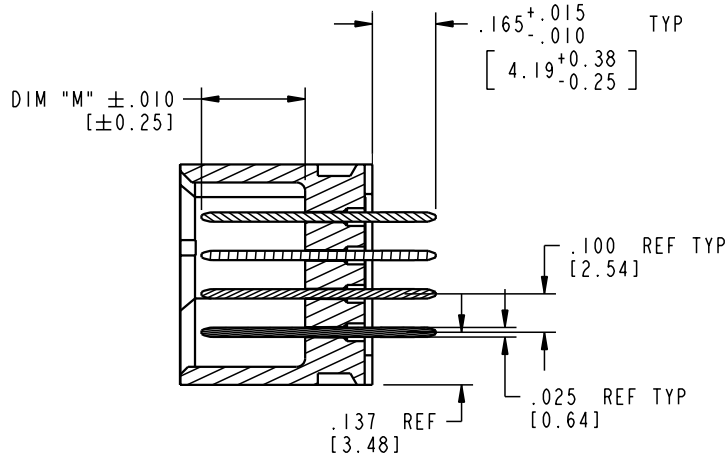
CODE	DIM "M" MATING LENGTH	CONTACT TYPE
G	.270 [6.86]	SIGNAL
PC	N/A [N/A]	POWER

mat'l code				SEE NOTE 2		tolerances unless otherwise specified		CUSTOMER		 www.fciconnect.com	
ltr	ecn no.	dr	date	linear	.XX±.01/0.XX±0.3		COPY		title		
A	V04-0310	TAB	03/26/04		.XXX±.005/0.XX±0.13		projection		32S + 8P		
					.XXX±.0020/0.XX±0.051				VERTICAL PRESS-FIT HEADER		
				angles	0° ± 2°		INCH/MM		product family		code
				dr	T. BRUNGARD	03/26/04	scale		PwrBlade		213
				engr	M. GRAY	03/26/04	1:1		size		sheet
				chr	M. GRAY	03/26/04			A 51701-10003208CC		1 of 4
				appd	M. GRAY	03/26/04					
sheet index	revision sheet	A	A	A	A						
		1	2	3	4						

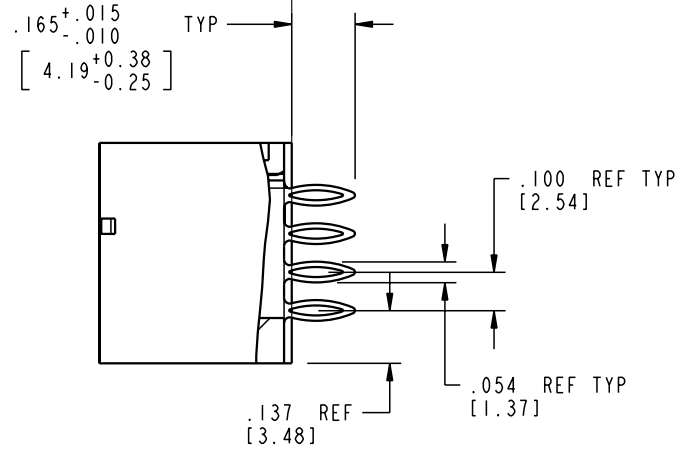
Tous droits strictement réservés. Reproduction ou communication o des tiers interdite sous quelque forme que ce soit sans autorisation écrite du propriétaire. Propriete de c FCI. Droits de reproduction FCI.

All rights strictly reserved. Reproduction or issue to third parties in any form, whenever is not permitted without written authority from the proprietor. Property of FCI. Copyright FCI.

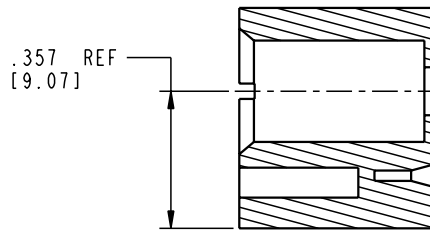
PRODUCT NUMBER
51701-10003208CC




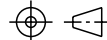
SECTION A-A
SCALE 2:1



SECTION B-B
SCALE 2:1



SECTION C-C
SCALE 2:1

mat'l code				SEE NOTE 2		tolerances unless otherwise specified		CUSTOMER		 www.fciconnect.com	
ltr	ecn no.	dr	date	linear	.XX±.01/0.X±0.3		COPY		title		
A					.XXX±.005/0.XX±0.13		projection		32S + 8P		
					.XXXX±.0020/0.XXX±0.051				VERTICAL PRESS-FIT HEADER		
				angles	0° ± 2°		INCH/MM		product family		code
				dr	T. BRUNGARD	03/26/04	scale		PwrBlade		213
				engr	M. GRAY	03/26/04	1:1		size		sheet
				chr	M. GRAY	03/26/04			A 51701-10003208CC		2 of 4
				appd	M. GRAY	03/26/04					
sheet index		revision sheet									

Pro/E

cage code 22526

PDM: Rev:A

STATUS: Released

Printed: Aug 11, 2007

Tous droits strictement réservés. Reproduction ou communication o des tiers interdite sous quelque forme que ce soit sans autorisation écrite du propriétaire. Propriete de c FCI. Droits de reproduction FCI.

A
FCI

All rights strictly reserved. Reproduction or issue to third parties in any form, whatever is not permitted without written authority from the proprietor. Property of FCI. Copyright FCI.

A

B

PRODUCT NUMBER
51701-10003208CC

NOTES:

1. DIMENSIONS AND TOLERANCES ARE IN ACCORDANCE WITH ASME Y14.5M, 1994 UNLESS OTHERWISE SPECIFIED.

CONNECTOR NOTES:

- ② HOUSING MATERIAL: UL 94 V-0 GLASS FILLED
HIGH-TEMP THERMOPLASTIC
POWER CONTACT MATERIAL: COPPER ALLOY
SIGNAL PIN MATERIAL: COPPER ALLOY
- 3. PLATING:
SIGNAL PINS: 30u"/0.76um Au OVER 50u"/1.27um Ni
POWER CONTACTS: 50u"/1.27um Ni UNDER ALL
WITH 30u"/0.76um Au ON CONTACT AREA
AND SnPb ON PCB INTERFACE
- ④ MANUFACTURER'S NAME, P/N, AND DATE CODE TO APPEAR ON THIS SURFACE.
- 5. PRODUCT SPECIFICATION GS-12-149.
APPLICATION SPECIFICATION BUS-20-067.

6. PACKAGED IN TRAYS.

PCB NOTES:


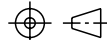
- 7. ALL HOLE DIAMETERS ARE FINISHED HOLE SIZE.
- 8. MOUNTING HOLES, WHERE APPLICABLE, ARE UNPLATED.

⑨ $\varnothing .0453 \pm .0010$ [1.151 ± 0.025] DRILLED HOLES PLATED WITH .0003 [0.008] MIN SnPb OVER .001 [0.03] TO .003 [0.08] Cu PLATING TO ACHIEVE $\varnothing .040 \pm .003$ [1.02 ± .07] HOLE.

⑩ "DIM XXX" TO BE DETERMINED BY THE CUSTOMER.

⑪ CONNECTOR KEEP-OUT ZONE.

12. FOR PRESS FIT APPLICATION USE FCI CAM TOOL 430169-037.

mat'l code				SEE NOTE 2		tolerances unless otherwise specified		CUSTOMER		 www.fciconnect.com	
ltr	ecm no.	dr	date	linear	.XX±.01/0.X±0.3		COPY		 title 32S + 8P VERTICAL PRESS-FIT HEADER		
A					.XXX±.005/0.XX±0.13		projection				
				angles	.XXX±.0020/0.XX±0.051		INCH/MM		product family PwrBlade code 213		
					° ± °		scale 1:1		size dwg no 51701-10003208CC sheet 4 of 4		
				dr	T. BRUNGARD	03/26/04					
				engr	M. GRAY	03/26/04					
				chr	M. GRAY	03/26/04					
				appd	M. GRAY	03/26/04					
sheet index	revision sheet										

A

B

1 | 2

3 |

4

1 | 2

Pro/E

3 |

cage code 22526

4

PDM: Rev:A

STATUS: **Released**

Printed: Aug 11, 2007